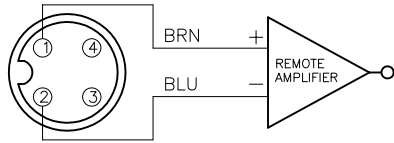


WIRING DIAGRAM

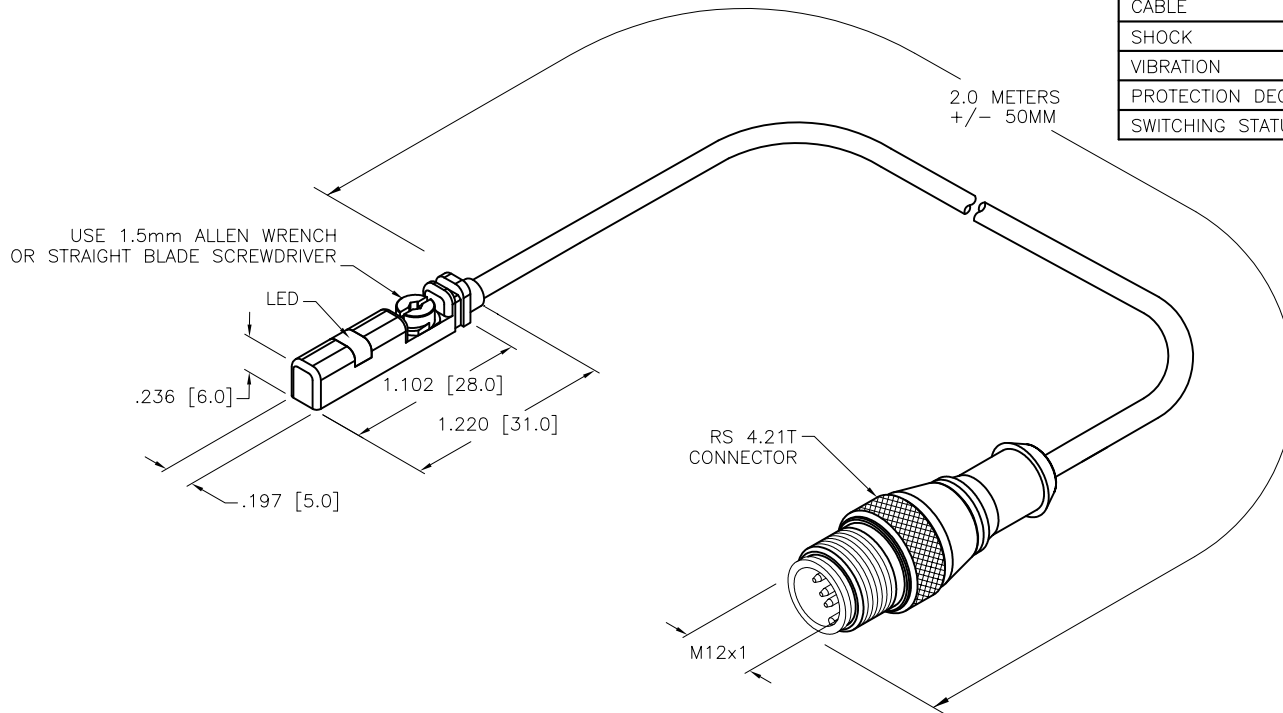


OUTPUT: Y1X

SHORT-CIRCUIT AND OVERLOAD PROTECTED

SPECIFICATIONS

PASS SPEED	≤ 10 m/second
HYSTERESIS	≤ 1 mm
TEMPERATURE DRIFT	≤ 0.1 mm
REPEAT ACCURACY	≥ ± 0.1 mm
AMBIENT TEMPERATURE	-25°C to +70°C (-13°F to +158°F)
VOLTAGE	8.2 VDC NOMINAL
NON-ACTUATED CURRENT CONSUMPTION	≤ 1.2 mA
ACTUATED CURRENT CONSUMPTION	≥ 2.1 mA
SWITCHING FREQUENCY	≤ 1 kHz
OUTPUT FUNCTION	2-WIRE, NAMUR
APPROVAL ACCORDING TO:	KEMA 04 ATEX 1152X
INTERNAL INDUCTANCE (L <sub>i</sub> )/CAPACITANCE (C <sub>i</sub> )	180 nF/350 μH
MARKING ON THE DEVICE	II 1 G Ex ia IIC T6 (max. U <sub>i</sub> = 20 V, I <sub>i</sub> = 60 mA, P <sub>i</sub> = 180 mW)
HOUSING MATERIAL	PLASTIC, PP
MATERIAL; ACTIVE AREA	PLASTIC, PP
CABLE	∅ 3.0, PVC
SHOCK	30 g, 11 ms
VIBRATION	55 Hz, 1 mm AMPLITUDE (IN ALL 3 PLANES)
PROTECTION DEGREE	IP67
SWITCHING STATUS INDICATION	LED; YELLOW



SOURCE DRAWING - FOR REFERENCE ONLY

NOTES:

1. "/S1139" DESIGNATES CYLINDER POSITION SENSOR WITH A WIDER TRAVEL, A.K.A. MORE RANGE.

RELATED DOCUMENTS		3RD ANGLE PROJECTION		THIS DRAWING IS CONFIDENTIAL AND THE PROPERTY OF TURCK INC. USE OF THIS DOCUMENT WITHOUT WRITTEN PERMISSION IS PROHIBITED.		 3000 CAMPUS DRIVE MINNEAPOLIS, MN 55441 1-800-544-7769 (763) 553-7300 (763) 553-0708 fax www.turck.us	
1.				DRFT	RDS	DATE	01/28/11
2.				APVD		SCALE	1=1.0
3.		ALL DIMENSIONS DISPLAYED ON THIS DRAWING ARE FOR REFERENCE ONLY				UNIT OF MEASUREMENT	
4.		CONTACT TURCK FOR MORE INFORMATION				INCH [ MILLIMETER ]	
MATERIAL		SEE SPECS		DESCRIPTION		BIM-UNT-AY1X-2-RS4.21T/S1139	
FINISH		SEE SPECS		IDENTIFICATION NO.		46857203	
C		UPDATE ID NUMBER PER HARMONIZATION PROJECT		DO NOT SCALE THIS DRAWING		FILE: 46857203	
REV		DESCRIPTION		SHEET 1 OF 1		REV C	

C	UPDATE ID NUMBER PER HARMONIZATION PROJECT	CBM	12/20/17	
REV	DESCRIPTION	BY	DATE	ECO NO.